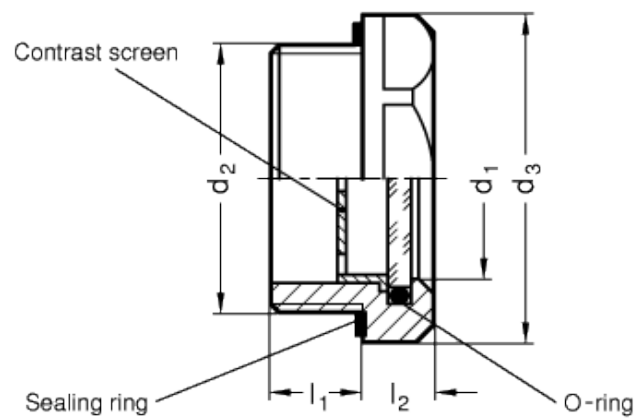
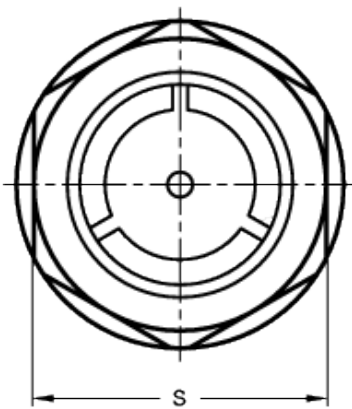


# GN 743.1

Oil level indicators  
for high temperatures



## technical informations

### Material

Aluminium, fine turned finish.

- Version A: with technopolymer (Polysulfon) contrast screen.
- Version B: without contrast screen.

### Window

ESG-glass.

### Flat packing ring

FPM (type VITON<sup>®</sup>, registered trade mark of DuPont Dow Elastomers). Identification by not black finish.

### Maximum continuous working temperature

180°C.

### Accessories on request

Brass nut type [GH](#) for fitting to reservoirs with wall thickness smaller than 5 mm.

### Features and applications

GN 743.1 oil level indicators can be used on pressurised oil tanks (oil-proof resistance data available on request). The natural glass window is resistant to scratches.

The seal between the aluminium body and the glass window is guaranteed by an O-ring in FKM (type VITON<sup>®</sup>, registered trade mark of DuPont Dow Elastomers). Identification by not black finish.

Standard Elements	Main dimensions						Weight
	Description	d <sub>1</sub>	d <sub>2</sub>	d <sub>3</sub>	l <sub>1</sub>	l <sub>2</sub>	
GN 743.1-7-M14x1.5-A	7	M14x1.5	20	7.5	6.5	18	6
GN 743.1-11-M16x1.5-A	11	M16x1.5	22	8	7.5	20	8
GN 743.1-14-M20x1.5-A	14	M20x1.5	26	8.5	7.5	23	10
GN 743.1-18-M26x1.5-A	18	M26x1.5	32	9	8	30	18
GN 743.1-18-M27x1.5-A	18	M27x1.5	32	9	8	30	18
GN 743.1-24-M33x1.5-A	24	M33x1.5	40	11	8.5	36	26
GN 743.1-32-M40x1.5-A	32	M40x1.5	50	12	9	46	39
GN 743.1-32-M42x1.5-A	32	M42x1.5	50	12	9	46	43
GN 743.1-7-G1/4-A	7	G1/4	20	7.5	6.5	18	6
GN 743.1-11-G3/8-A	11	G 3/8	22	8	7.5	20	9
GN 743.1-14-G1/2-A	14	G 1/2	26	8.5	7.5	23	11
GN 743.1-18-G3/4-A	18	G 3/4	32	9	8	30	18
GN 743.1-24-G1-A	24	G 1	40	11	8.5	36	26
GN 743.1-32-G1¼-A	32	G 1¼	50	12	9	46	42
GN 743.1-32-G1½-A	32	G 1½	60	13	9	55	45
GN 743.1-7-M14x1.5-B	7	M14x1.5	20	7.5	6.5	18	6
GN 743.1-11-M16x1.5-B	8	M16x1.5	22	8	7.5	20	8
GN 743.1-14-M20x1.5-B	14	M20x1.5	26	8.5	7.5	23	10
GN 743.1-18-M26x1.5-B	18	M26x1.5	32	9	8	30	18
GN 743.1-18-M27x1.5-B	18	M27x1.5	32	9	8	30	18
GN 743.1-24-M33x1.5-B	24	M33x1.5	40	11	8.5	36	26
GN 743.1-32-M40x1.5-B	32	M40x1.5	50	12	8.5	46	39
GN 743.1-32-M42x1.5-B	32	M42x1.5	50	12	9	46	43
GN 743.1-7-G1/4-B	7	G1/4	20	7.5	6.5	18	6
GN 743.1-11-G3/8-B	11	G 3/8	22	8	7.5	20	9
GN 743.1-14-G1/2-B	14	G 1/2	26	8.5	7.5	23	11
GN 743.1-18-G3/4-B	18	G 3/4	32	9	8	30	18
GN 743.1-24-G1-B	24	G 1	40	11	8.5	36	26
GN 743.1-32-G1¼-B	32	G 1¼	50	12	9	46	42
GN 743.1-32-G1½-B	32	G 1½	60	13	9	55	45

ELESA and GANTER models all rights reserved in accordance with the law. Always mention the source when reproducing our drawings.

**STANDARD MACHINE ELEMENTS WORLDWIDE**